

Performances

Working range

from M3 to M10 all materials
M12 alu and steel

Technical Data

Weight: 2,4 kg (4,4 lbs)
Course, adjustable, max: 10mm
Traction force, adjustable max: 18,5 KN bei 5 bar
Operating air pressure: 5-7 bar
Air hose connection: 6 mm Ø (1/4")
Air consumption: Approx. 2 to 4 l per cycle (depends of nut size)

Standard Accessories

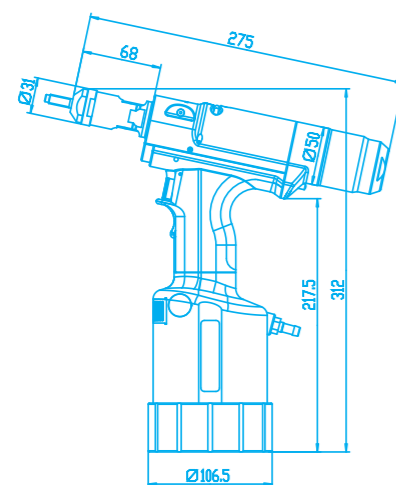
2 wrenches SW24/27
1 Allen screw driver SW4
1 Oil can with 100ml hydraulic oil
1 Oil refilling can
Operation manual

Standard equipment

Threaded mandrel and nosepiece from M3 to M12 as per customer's choice

Spécial accessories

- Adapters for use of allen DIN EN ISO 4762 (12.9 quality) instead of threaded mandrels M4 to M8
- Adapters for setting of blind rivet nut studs M4 to M8
- Nosepieces and threaded mandrels with UNF/UNC threads
- Complete sets of nosepieces and threaded mandrels.



GESIPA®

FireFox® – Unique, worldwide

Most blind rivet nut setting tools on the market are stroke controlled, while only a handful are traction force controlled. GESIPA now offers both features together in a single, worldwide unique pneumatic-hydraulic tool and provides the user with the choice between both setting modes: easy, fast and safe.

FireFox® – The new one

Setting blind rivet nuts with traction force adjustment

This means that the tool will stop pulling the blind rivet nut when a pre-adjusted traction force threshold is reached. No re-adjustment is needed when setting blind rivet nuts into different material thicknesses or when using blind rivet nuts with different shaft lengths. Traction force control prevents damage of the material which cannot be overstressed by a too high setting pressure and preserves the integrity of the blind rivet nut thread. As a bonus, it also extends the life duration of the threaded mandrels.

The desired traction force threshold can be very simply adjusted with an allen wrench once the stroke adjustment has been set to the maximum.



FireFox® – The reliable one

Setting blind rivet nuts with constant stroke adjustment

This means that the tool will pull the blind rivet nut with its maximum force and stop immediately when the pre-adjusted stroke has been covered, nut for nut, safely and reliably. The stroke adjustment is easily and clearly performed using a millimetre scale on the tool adjustment thumb wheel, without the need for any tool, after having adjusted the pulling force to its maximum. The millimetre adjustment scale exactly reflects the effective stroke of the threaded mandrel, so that maladjustment is nearly impossible. Moreover it is safely locked to prevent any drift.

The protruding length of the threaded mandrel can be adjusted manu-



FireFox® – The simple one

Easy operation through automatic drill-on function

The drill-on process will automatically start when a blind rivet nut is lightly pressed onto the mandrel tip. This avoids the cumbersome double action on twin triggers. Thereafter introduce the blind rivet nut into its setting hole, press the trigger and keep it depressed until the setting cycle is completely finished, nut drilled off and tool free. It couldn't be easier!



FireFox® – The fast one

Extremely fast working cycle

Great care has been taken to shorten every sequence of the setting cycle to its absolute minimum: Pulling sequence and subsequent automatic drill-off take place at breathtaking speed and require only a single action on the trigger.

FireFox® – The complete range

This new tool doesn't come alone. GESIPA is offering a comprehensive range of accessories in order to cope with special applications and difficult tasks: easy, fast and safe!

FireFox® – The canny one

... can be operated with DIN EN ISO 4762 allen screws instead of threaded mandrel.

Special adapters available as accessory for M4 to M8 threads allows the original threaded mandrels to be replaced by allen screws: a substantial cost saving without any quality or performance loss and higher endurance when far away from the spare parts source. Best results are obtained with 12.9 grade screws.



FireFox® – The versatile one

sets blind rivet nuts from M3 to M12, also those with extended grip range.

The wide range of suitable thread sizes provides the FireFox® with a large variety of possible operation. The choice between stroke and traction force control also makes it suitable for industrial applications where several material thicknesses need to be covered, which would normally require the use of several tools.

Moreover, its outstanding 10mm stroke is ideally suited to the new generation of large grip range blind rivet nuts, like the GESIPA PolyGrip® products.



FireFox® – All inclusive

The FireFox® special accessories

GESIPA not only offers threaded mandrels and nosepieces for the current thread sizes M3 to M12, but also adapters for blind rivet nut studs from M4 to M8.

This range of threaded mandrels and nosepieces is also available with equivalent UNC/UNF thread dimensions.

All these parts can be ordered separately, either individually or in complete sets. They are not included in the standard delivery of the tool.



System componets & accessories

Tool versions	
FireFox® with threaded mandrel M6	Part number 772 0001
FireFox® with threaded mandrel M3	Part number 772 0002
FireFox® with threaded mandrel M4	Part number 772 0003
FireFox® with threaded mandrel M5	Part number 772 0004
FireFox® with threaded mandrel M8	Part number 772 0005
FireFox® with threaded mandrel M10	Part number 772 0006
FireFox® with threaded mandrel M12	Part number 772 0007

Nosepieces and threaded mandrels			
Complete set metrisch	Part number 772 1115	Complete set UNC/UNF	Part Number
Nosepiece M3	Part number 772 1053	Threaded Mandrel M3	Part number 772 1046
Nosepiece M4	Part number 772 1054	Threaded Mandrel M4	Part number 772 1047
Nosepiece M5	Part number 772 1055	Threaded Mandrel M5	Part number 772 1048
Nosepiece M6	Part number 772 1056	Threaded Mandrel M6	Part number 772 1049
Nosepiece M8	Part number 772 1057	Threaded Mandrel M8	Part number 772 1050
Nosepiece M10	Part number 772 1058	Threaded Mandrel M10	Part number 772 1051
Nosepiece M12	Part number 772 1059	Threaded Mandrel M12	Part number 772 1052
Nosepiece 6-32 UNC	Part number 772 1108	Threaded Mandrel 6-32 UNC	Part number 772 1101
Nosepiece 8-32 UNC	Part number 772 1109	Threaded Mandrel 8-32 UNC	Part number 772 1102
Nosepiece 10-32 UNF	Part number 772 1110	Threaded Mandrel 10-24 UNC	Part number 772 1103
Nosepiece 1/4"-20 UNC	Part number 772 1111	Threaded Mandrel 10-32 UNF	Part number 772 1104
Nosepiece 5/16"-18 UNC	Part number 772 1112	Threaded Mandrel 1/4"-20 UNC	Part number 772 1105
Nosepiece 3/8"-16 UNC	Part number 772 1113	Threaded Mandrel 5/16"-18 UNC	Part number 772 1106

Special threaded mandrels (extended length or fine thread) available on request

Accessories	
Adapter for DIN screws M4	Part number
Adapter for DIN screws M5	Part number
Adapter for DIN screws M6	Part number
Adapter for DIN screws M8	Part number
Adapter for blind rivet nut studs M4	Part number
Adapter for blind rivet nut studs M5	Part number
Adapter for blind rivet nut studs M6	Part number
Adapter for blind rivet nut studs M8	Part number
Adapter for blind rivet nut studs M10	Part number

GESIPA Blindniettechnik GmbH
 Nordendstraße 13-39 64546 Mörfelden-Walldorf, Germany
 T +49 (0) 6105 962 0 F +49 (0) 6105 962 287
 info@gesipa.com www.gesipa.com



FireFox®



**The new GESIPA hydro-pneumatic tool
 sets blind rivet nuts ...
 and the benchmark as well !**

GESIPA Blindniettechnik GmbH
 Nordendstraße 13-39 64546 Mörfelden-Walldorf, Germany
 T +49 (0) 6105 962 0 F +49 (0) 6105 962 287
 info@gesipa.com www.gesipa.com



FireFox® Highlights

- Selectable stroke or pulling force control
- Automatic drill-on function
- Extremely fast working cycle
- For M3 to M12 blind rivet nuts
- Threaded mandrels can be replaced by allen screws
- Comprehensive range of accessories

