



# POP®

## ProSet® 2500 Rivet Tool

**Get the power, lose the weight**

### Features & Benefits:

- **Ergonomic**
  - Lightweight, polymer construction
  - Comfortable two finger, low activation force trigger
  - Directionable air exhaust (MCS model)
- **Performance**
  - High force-to-weight ratio
  - Quick disconnect nose housing
  - Quick disconnect jaw case
  - Quick disconnect MCS
- **Economy**
  - On/Off, left or right swivel air fitting
  - Spring return for a reliable fast setting cycle
- **Adaptability**
  - Extended 5" (140mm) long front end for extra reach
  - POP® Rivet Presenter (RP) compatible
  - POP® SmartSet® rivet monitoring system compatible
- **Safety**
  - Air-isolation switch during MCS removal

The ProSet® 2500 tool sets new standards for pneumatic rivet tools. Designed specifically to set a wide range of blind rivets, including 3/16" (4.8mm) High Strength and Stainless Steel, this tool delivers 2,110 lbs. (9.4 kN) of pulling force with a "highest in class" force-to-weight ratio of 730 lbf/lb (7.18 kN/kg).

The ProSet® 2500 tool features many innovative high performance features including a patented "Quick Disconnect" nose housing and jaw case for rapid cleaning and maintenance of the front end without the need for any tools. With the 2500 "Quick Disconnect" Mandrel Collection System (MCS), mandrels are safely collected for easy disposal and cleaner work areas. An air-isolation switch on the MCS prevents air flow when the MCS is disconnected. The tough aluminum casing is designed to prevent damage and enhance the life of the tool.

A left or right 90°swivel air fitting ensures the tool can be adapted to virtually any workstation configuration, while the "on/off" switch minimizes air consumption. The spring return ensures fast, reliable setting cycles reducing operating cost. An extended 5" (140mm) front end is also available for extra reach in special setting situations. The ProSet® 2500 is compatible with other Emhart Teknologies automation systems including the remote Mandrel Collection System (MCS5000), the POP® Rivet Presenter (RP) and the SmartSet®. The 2500 tool model will set 1/8" (3.2mm), 5/32" (4.0mm) and 3/16" (4.8mm) diameter rivets in all materials including high strength (HS) structural stainless steel rivets. The 2501 tool model sets 2mm, 3/32" (2.4mm), 1/8 (3.2mm) and 5/32 (4.0mm) rivets.

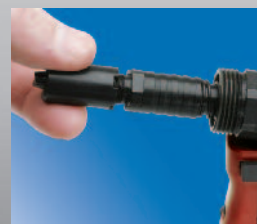
Quick Disconnect Mandrel Collector



Quick Disconnect Nosehousing



Quick Disconnect Jaw Guide Technology



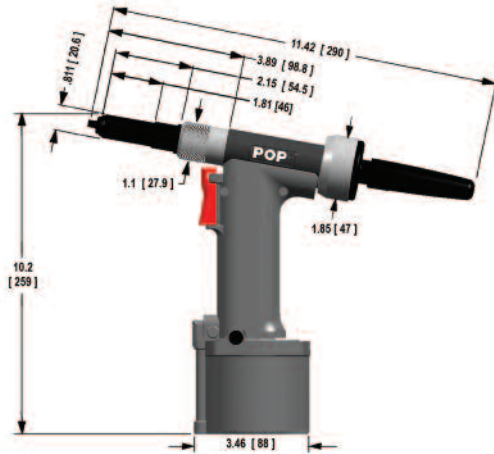
**上海徽宇电子科技有限公司**  
Shanghai Huiyu Electronic Technology Co., Ltd.



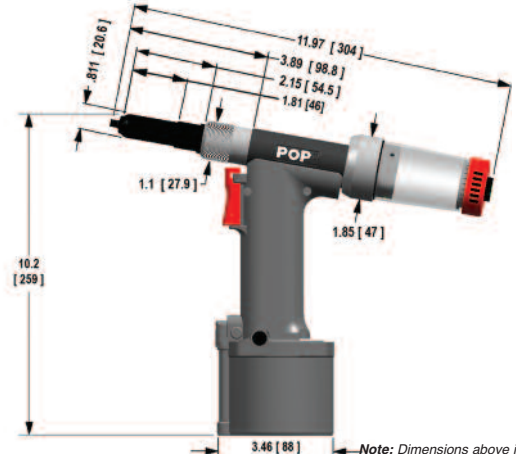


# ProSet® 2500 Rivet Tool

ProSet® 2500



ProSet® 2500 MCS



Note: Dimensions above inches [mm]

## Specifications

| Model Number       | ProSet® 2500                            | ProSet® 2500MCS                       |
|--------------------|---|---------------------------------------|
| Weight             | 2.65 lbs. (1.20 kg)                     | 2.89 lbs. (1.31 kg)                   |
| Length             | 11.42" (290 mm)                         | 11.97" (304 mm)                       |
| Height             | 10.20" (259 mm)                         | 10.20" (259 mm)                       |
| Tool stroke        | 0.71" (18 mm)                           | 0.71" (18 mm)                         |
| Pulling force      | 2110 lbs @ 90 psi (9400 N @ 6.2 bar)    | 2110 lbs @ 90 psi (9400 N @ 6.2 bar)  |
| Force/Weight ratio | 796.2 lbf/lb (7.83 kN/kg)               | 730 lbf/lb (7.18 kN/kg)               |
| Air consumption    | 0.076 cu. ft./rivet (2.15 liters/rivet) | 2.47 scfm (max) [70 liters/min (max)] |

## Rivet Capacity

| Rivet Type             | Material (Body-Mandrel)    | Rivet Diameter        |                   |                    |
|------------------------|----------------------------|-----------------------|-------------------|--------------------|
|                        |                            | 1/8" (*) (3.0-3.2 mm) | 5/32"(*) (4.0 mm) | 3/16"(**) (4.8 mm) |
| Open End & Multi-Grip™ | Aluminum-Aluminum          | ✓                     | ✓                 | ✓                  |
|                        | Aluminum-Steel / St. Steel | ✓                     | ✓                 | ✓                  |
|                        | Steel-Steel                | ✓                     | ✓                 | ✓                  |
|                        | St. Steel-St. Steel        | ✓                     | ✓                 | ✓(†)               |
|                        | Monel-Steel / St. Steel    | ✓                     | ✓                 | ✓(†)               |
| Closed End             | Aluminum-Aluminum          | ✓                     | ✓                 | ✓                  |
|                        | Aluminum-Steel / St. Steel | ✓                     | ✓                 | ✓                  |
|                        | Copper-Steel               | ✓                     | ✓                 | ✓                  |
|                        | Steel-Steel                | ✓                     | ✓                 | ✓                  |
|                        | St. Steel-St. Steel        | ✓                     | ✓                 | ✓                  |
| LSR Rivets             | Aluminum-Aluminum          | ✓                     | ✓                 | ✓                  |
| HR® Rivets             | Steel-Steel                | ✓                     | ✓(**)             | ✓                  |
| T Rivets               | Aluminum-Steel             | ✓                     | ✓                 | ✓                  |
| Self Plugger           | Steel-Steel                | ✓                     | ✓                 | ✓                  |
| Ultra-Grip®            | Aluminum-Aluminum          | -                     | -                 | ✓                  |
|                        | Steel-Steel                | -                     | -                 | ✓                  |
|                        | St. Steel-St. Steel        | -                     | -                 | ✓                  |
| Pull-Thru              | Steel-Steel                | ✓                     |                   |                    |

## Optional Accessories

| Part Number | Description  |
|-------------|--|
| DPN239-110  | 17mm Hex. Socket Screw Key   |
| FAN275-132  | Front End 5" (140mm) Extension kit for 1/8", 5/32" & 3/16"                 |
| FAN275-133  | ProSet® 2500 Seal kit  |
| FA203-408   | Adaptor kit for Remote MCS (MCS5000)                                       |
| FAN275-134  | Mandrel Collection System Retrofit kit                                     |
| FAN275-198  | Reduced diameter .686" (17.4mm) Front End Kit for 2mm, 3/32", 1/8" & 5/32" |
| FAN275-222  | Conversion Kit for 3/16" Aluminum  |
| FAN275-229  | Reduced diameter .686" (17.4mm) Front End Kit for 3/16" Aluminum           |
| PRH830-2500 | PRH830 & A1 Head Adaptor   |
| PRH840-2500 | PRH840 Corner Head Adaptor   |
| RP4-350     | RP4 / RP5 Receptacle   |
| RP6-350     | RP6 Receptacle   |

See website for further details.



MCS Retrofit Kit



Extended Nose Housing Available

### Americas

Emhart Technologies  
P.O. Box 859  
50 Shelton Technology Center  
Shelton, CT 06484 USA

Canada: (514) 351-0330  
Brazil: + 55 11 3871-6460  
México: + 52-55-5326-7100

© 2011 Emhart Technologies

To order, call customer service at  
Tel: (877) EMHART-1  
Tel: (877) 364-2781  
Fax: (800) 225-5614

P538 Rev.4 (06/11)

(\*) Use FAN275-028 Jaw pusher set up; (\*\*) Use DPN275-027 Jaw pusher set up.

(†) Excludes Multi-Grip™ St. Steel: Stainless Steel

Note: For 2mm & 3/32" (2.4mm) rivets, use the ProSet 2501. For 2mm, order PRG402-02 jaws and PRN214 nosepiece. For 3/32" (2.4mm), order PRN314 nosepiece.