

# 241E

## 241E

### Pneudraulic Installation Tool

---

#### Specifications

---

*Weight:*

2.5 kg (5.5 lbs.)

*Stroke:*

23 mm (0.905")

*Required Air Pressure:*

5.52-6.21 bar (80-90 psi)

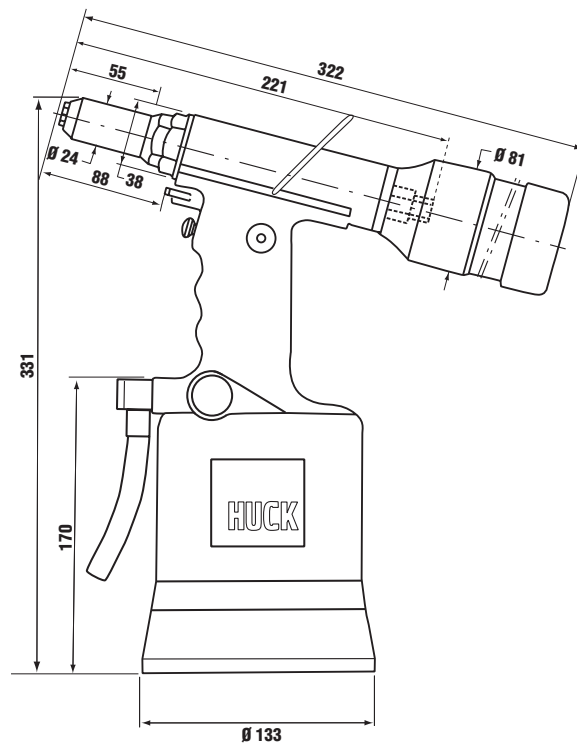
*Air Consumption per Cycle:*

1.61 l/min @ 6 bar  
(0.057 ft<sup>3</sup> @ 87 psi)

*Capacity:*

19.57 kN @ 87 bar  
(4400 lbs @ 87 psi)

---



# HUCK® INTERACTIVE CD ROM : NOSE ASSEMBLY TABLE

## 241E

---

### Some Fasteners for use with the 241E Tool

---

Type	Diameter	Nose Assembly
MAGNA-LOK	4.8 mm (3/16")	<b>Integral Nose Assembly and Anvil Inserts supplied with Tool</b>
	6.4 mm (1/4")	
MAGNA-BULB	4.8 mm (3/16")	
	6.4 mm (1/4")	
AUTO-BULB	4.8 mm (3/16")	
	6.4 mm (1/4")	
HUCKLOK	6.4 mm (1/4")	

---